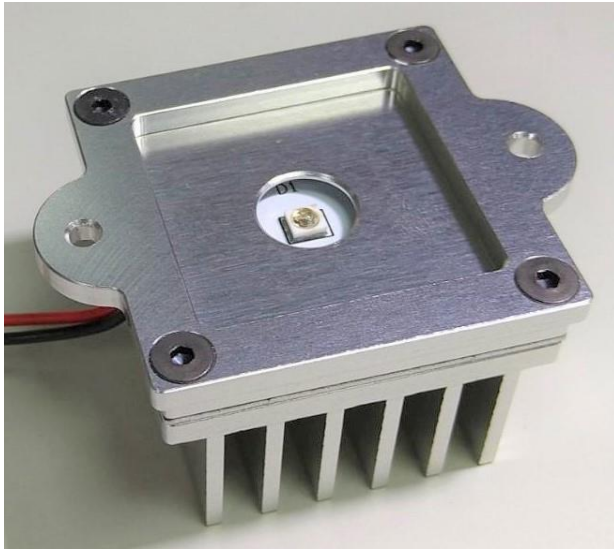


- Excellent sterilization with high power UVC LED (270nm, 50mW)
- Small and compact size UVC module with built-in GaN FET driving circuit

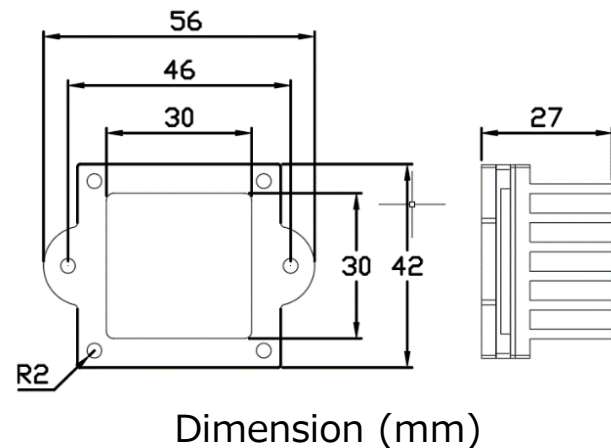


## ■ Advantages

- **High output power :**  
50mW irradiation power
- **Built-in driving circuit :**  
12V/350mA driver circuit included  
No additional circuit needed
- **Compact size :**  
Very low heat emission

## ■ Features

LED spec. (@Vf=6~6.5V)	
Wavelength	260~280 nm
Forward current	350 mA
Power	50 mW
Radiation angle	120 °
Driving circuit spec.	
Input voltage	12 V
Forward current	350 mA
Power consumption	4.2 W
Heat dissipation	$T_j \leq 100^\circ\text{C} @ T_a 40^\circ\text{C}, 350\text{mA}$
Operation temp.	0~50 °C
Module spec.	
Dimension	56 x 42 x 27 mm



## ■ Application

- Surface sterilization
- Purifier (Air, Water, etc.)

Manufactured by

