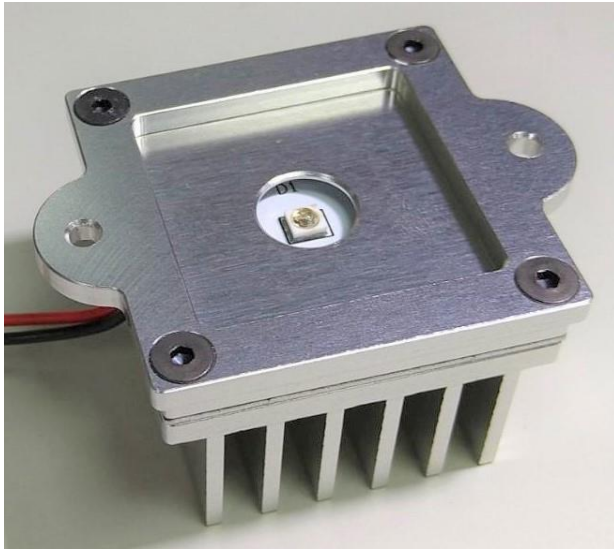


- Excellent sterilization with high power UVC LED (270nm, 50mW)
- Small and compact size UVC module with built-in GaN FET driving circuit



■ Advantages

- **High output power :**
50mW irradiation power
- **Built-in driving circuit :**
12V/350mA driver circuit included
No additional circuit needed
- **Compact size :**
Very low heat emission

■ Features

LED spec. (@Vf=6~6.5V)

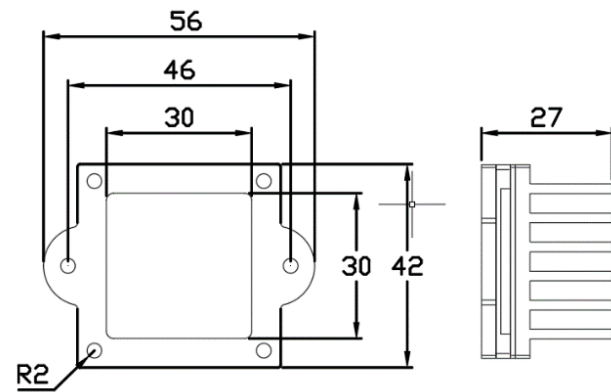
Wavelength	260~280 nm
Forward current	350 mA
Power	50 mW
Radiation angle	120 °

Driving circuit spec.

Input voltage	12 V
Forward current	350 mA
Power consumption	4.2 W
Heat dissipation	$T_j \leq 100^\circ\text{C} @ T_a 40^\circ\text{C}, 350\text{mA}$
Operation temp.	0~50 °C

Module spec.

Dimension	56 x 42 x 27 mm
-----------	-----------------



Dimension (mm)

■ Application

- Surface sterilization
- Purifier (Air, Water, etc.)

Manufactured by

